

Aqua-flo Pumps for Spas

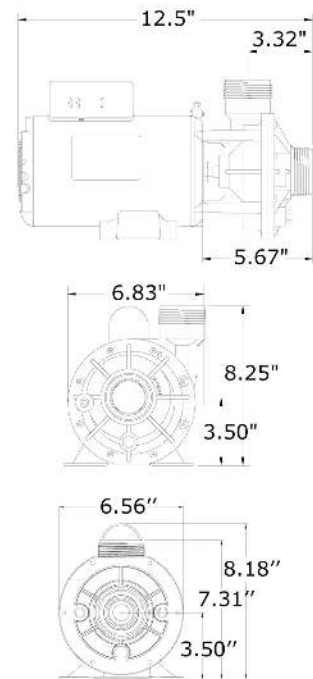
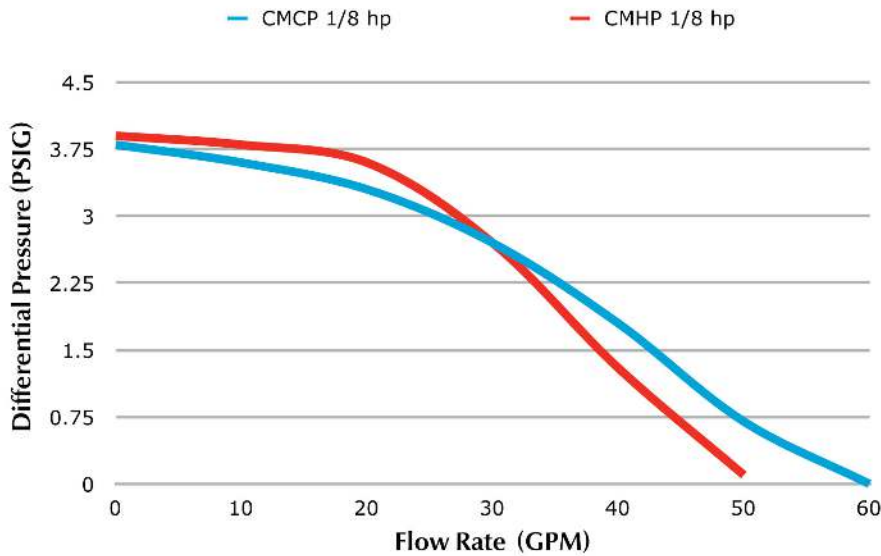
Circ-Master HP & CP



Circ-Master HP & CP
24-hour recirculation pumps

- Ideal for 24/7 circ pump applications
- Single speed
- Flow rate up to 40 GPM
- 1 1/2" intake and discharge
- Wet end available in center or side discharger configuration

Dimension and Performance Curves Circ-Master HP & CP



Circ-Master Series

Center discharge, single-speed, 1 1/2" intake & discharge

Part No.	hp	Volts	A	OP.HP*	Hi-Flow GPM
02593000-2010	1/8	115	1.3	1/15	35
02593001-2010	1/8	230	0.6	1/15	35

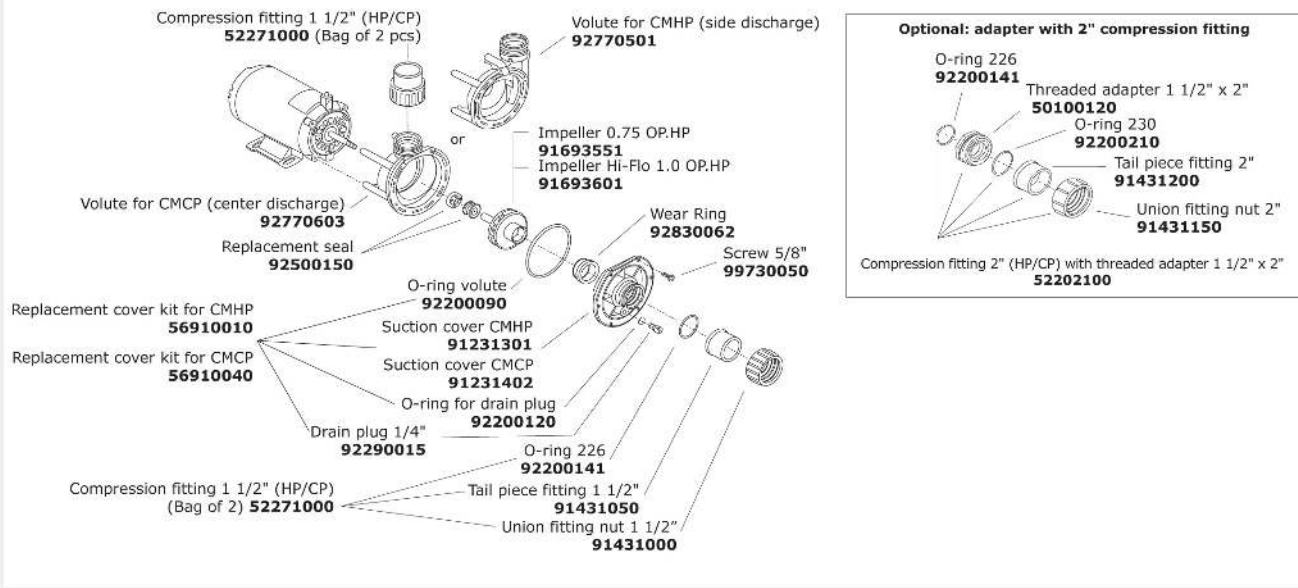
Side discharge, single-speed, 1 1/2" intake & discharge

Part No.	hp	Volts	A	OP.HP*	Hi-Flow GPM
02093000-2010	1/8	115	1.3	1/15	40
02093001-2010	1/8	230	0.6	1/15	40



Every pump comes with 2 compression fittings & without cord.

* OP.HP refers to operational duty horsepower.

Circ-Master HP & CP exploded view



Circ-Master Wet Ends 48FR, 1 1/2" intake & 1 1/2" discharge

	Part No.	OP.HP*	Discharge
	91040800-000	1/15	Center
	91040690-000	1/15	Side

* OP.HP refers to operational duty horsepower.