

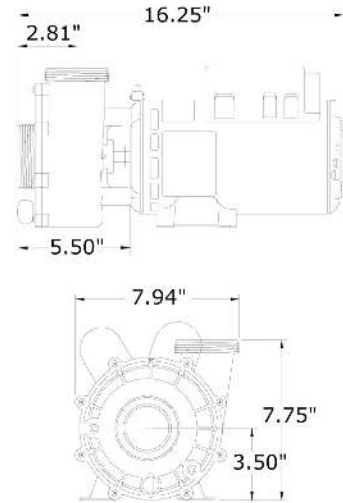
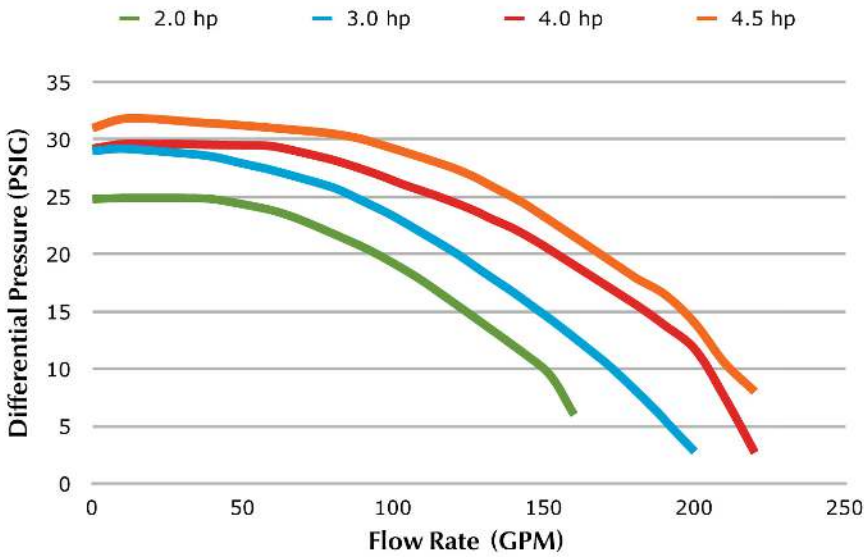
Aqua-flo Pumps for Spas
Flo-Master XP2



Flo-Master XP2
 high performance pump

- Booster jet pumps
- Dual-speed
- Flow rate up to 225 GPM
- 48 frame motor
- 2" intake and discharge

Dimension and Performance Curves XP2



Flo-Master XP2 Series, 60Hz, 48 frame

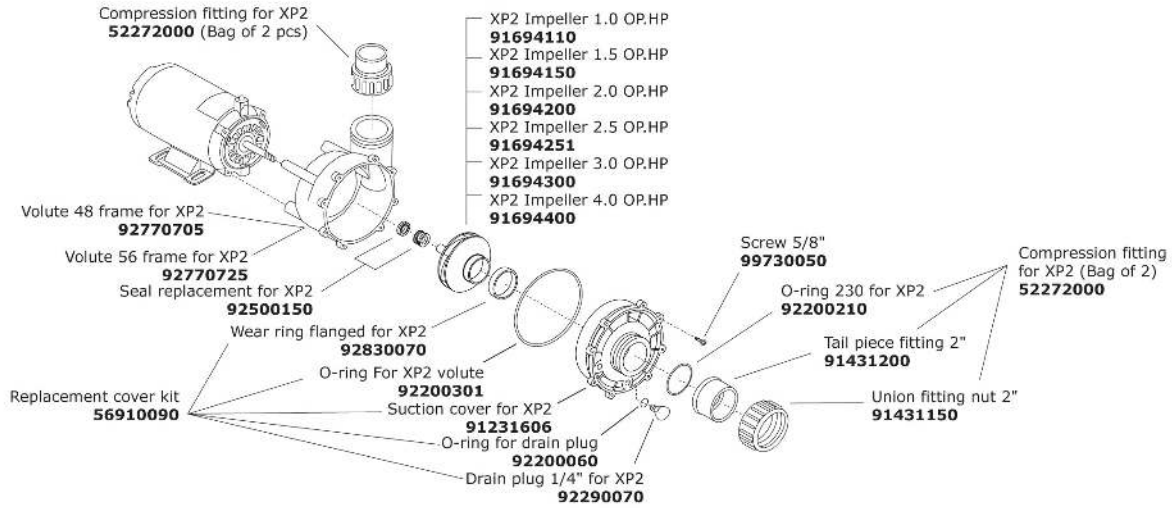
Dual-speed, 2" intake & discharge

Part No.	hp	Volts	A (High)	A (Low)	OP.HP*	Hi-Flow GPM
06115000-1040	2.0	115	14.4	5.5	1.5	125
06115517-2040	2.0	230	6.8	2.5	1.5	125
06120500-2040	3.0	230	8.4	3.0	2.0	150
06125000-1040	4.0	230	10.0	2.6	2.5	180
06130395-2040	4.5	230	13.1	3.3	3.0	200

Every pump comes with 2 compression fittings & without cord.

* OP.HP refers to operational duty horsepower.

Flo-Master XP2 exploded view



Flo-Master XP2 Wet Ends 48FR, 2" intake & 2" side discharge



Part No.	OP.HP*
91041608-000	1.0
91041815-000	1.5
91041820-000	2.0
91041825-000	2.5
91041830-000	3.0
91041613-000	4.0

Flo-Master XP2 Wet Ends 56FR, 2" intake & 2" side discharge



Part No.	OP.HP*
91041915-000	1.5
91041920-000	2.0
91041925-000	2.5
91041930-000	3.0
91041940-000	4.0

* OP.HP refers to operational duty horsepower.