

Aqua-flo Pumps for Spas

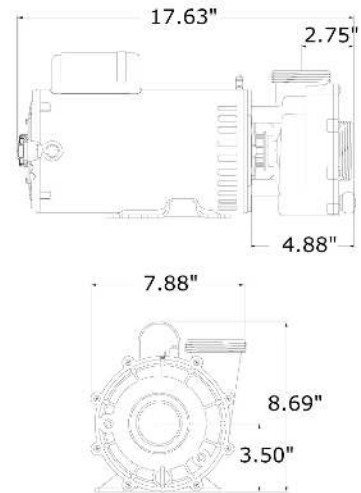
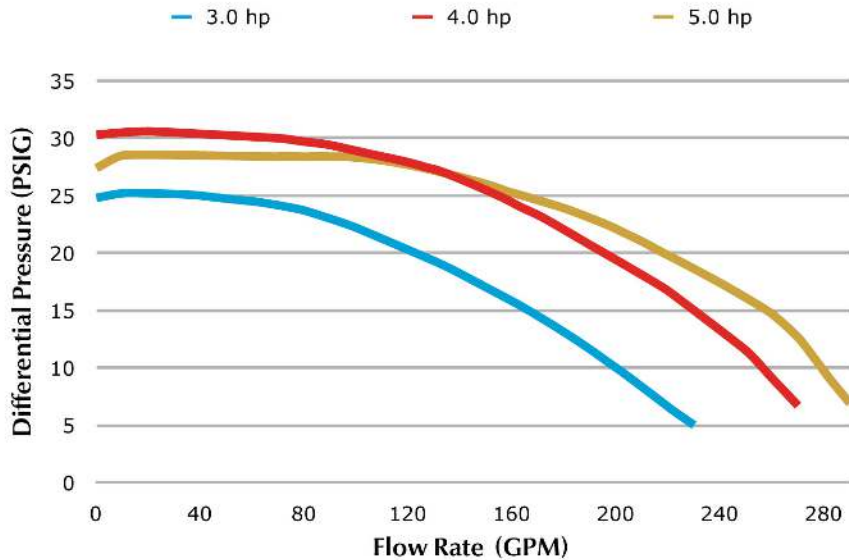
Flo-Master XP2e



Flo-Master XP2e
greater flow-rates with overall energy efficiency

- Booster jet pumps
- Ideal for multi-jet applications
- Dual-speed
- Flow rate up to 280 GPM
- 56 frame motor
- 2" intake and discharge

Dimension and Performance Curves FM-XP2e



Flo-Master XP2e Series, 60Hz, 56 Frame

Dual-speed, 2" intake & discharge

Part No.	hp	Volts	A (High)	A (Low)	OP.HP*	Hi-Flow GPM
05320761-2040	3.0	230	8.4	3.0	2.0	170
05334012-2040	4.0	230	12.0	3.9	3.0	230
05340009-5040	5.0	230	15.0	4.5	4.0	260

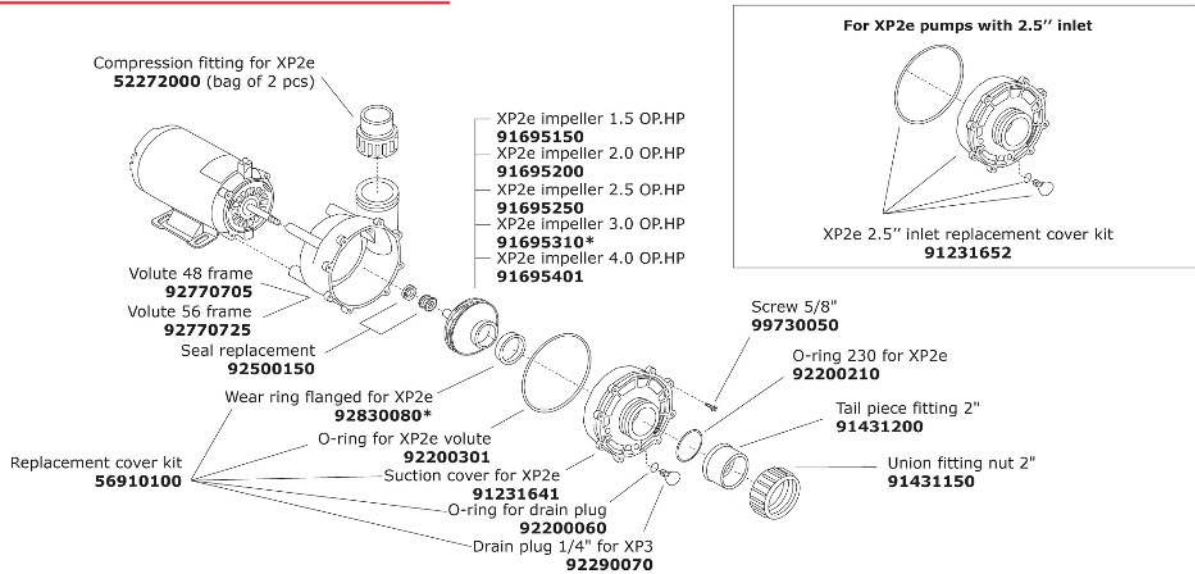
Dual-speed, 2.5" intake & 2" discharge

Part No.	hp	Volts	A (High)	A (Low)	OP.HP*	Hi-Flow GPM
05320762-5040	3.0	230	8.9	4.7	2.0	170
05334024-5040	4.0	230	12.8	4.8	3.0	230
05340011-5040	5.0	230	15.0	4.5	4.0	260

Every pump comes with 2 compression fittings & without cord.

* OP.HP refers to operational duty horsepower.

Flo-Master XP2e exploded view



*Note: 3.0 OP,HP impeller **91695310** needs a specific Wear ring **92830081**

Flo-Master XP2e Wet Ends 48FR, 2" intake & 2" side discharge



Part No.	OP,HP*
91041815-000	1.5
91041820-000	2.0
91041825-000	2.5
91041830-000	3.0

Flo-Master XP2e Wet Ends 56FR, 2" intake & 2" side discharge



Part No.	OP,HP*
91041915-000	1.5
91041920-000	2.0
91041925-000	2.5
91041930-000	3.0
91041940-000	4.0

* OP,HP refers to operational duty horsepower.